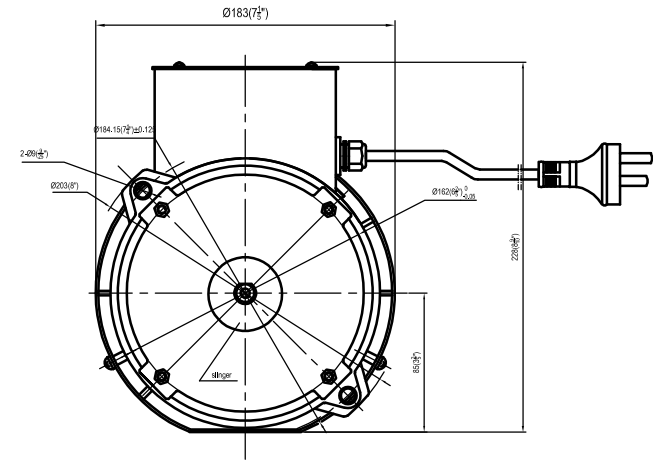
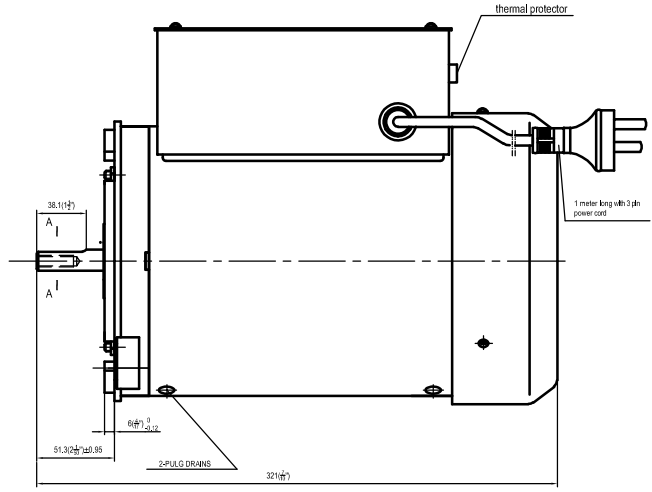
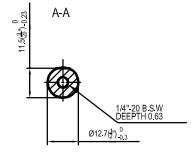


RevNo	Revision note	Date	Signature	Checked
-	-	-/-/-	-	-



CUSTOMER PART NO	VOLTS	FRAME	Hz	Pole	KW	RPM	PH	THERMALLY PROTECTED	IP
TWA3910A	240V	56NY	50	4	0.37	1420	1	MAN.	55
TWA3910C	240V	56NY	50	4	0.75	1420	1	MAN.	55

MATERIAL			 www.techtop.com.au Ph: (03) 9753 2222	
SIZE	SCALE	NTS		
DRAWN	CHECKED	TOLERANCES:		
ISSUED BY	LINEAR: +/- 0.5 mm		TITLE GRAIN FEEDER 240V, 50Hz TEFC IP55	
FINISH	ANGULAR: +/- - °			
PART NO	REFER TABLE			DRG NO TWA3910A & TWA3910C
				REV A