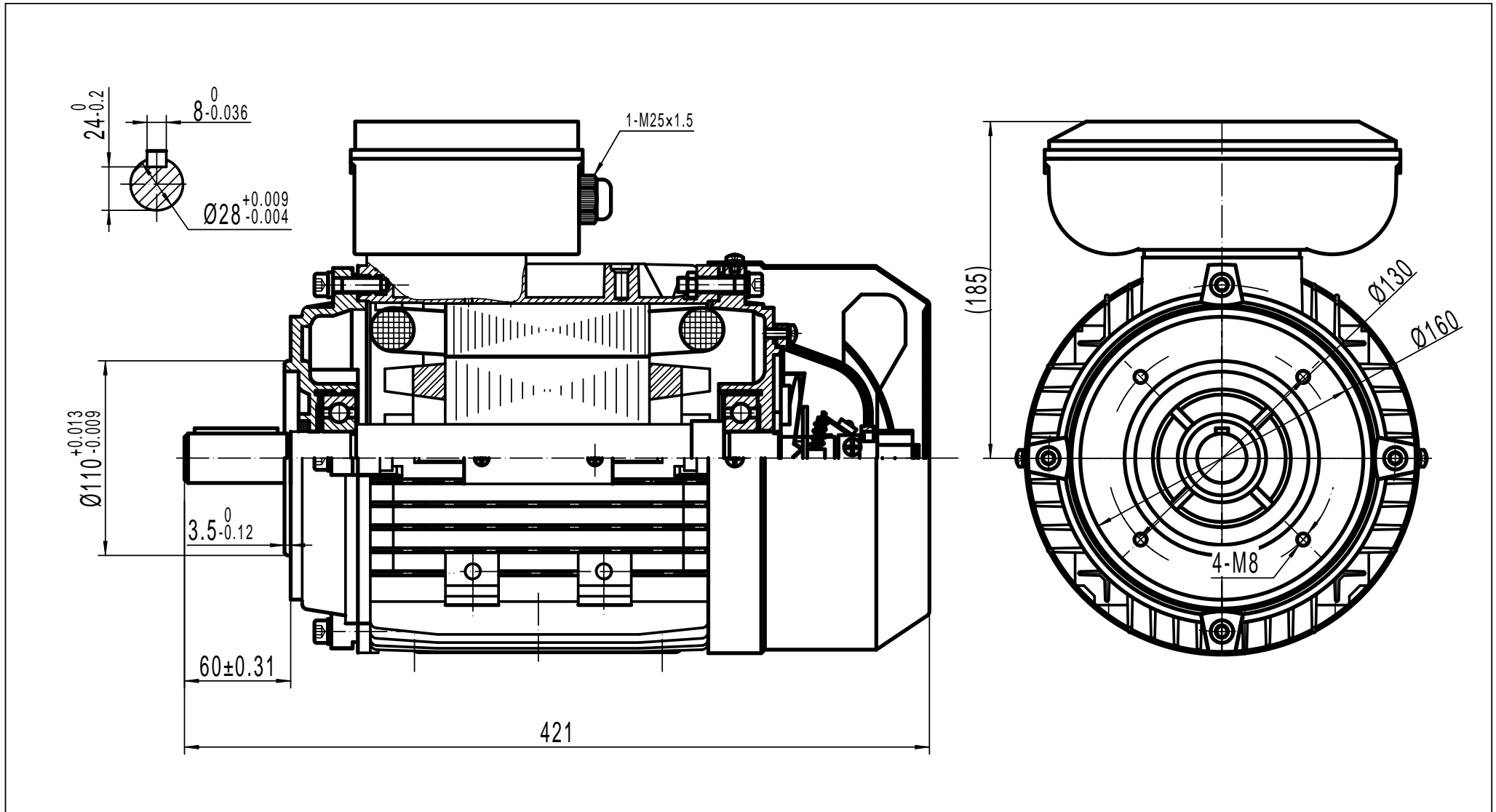


OUTLINE DIMENSIONAL DRAWING



| | |
|---------------------------|--------------|
| TECHTOP AUSTRALIA PTY LTD | |
| FRAME | TML 112A B14 |
| DATE | DRAWING NO. |
| 2008/05/20 | 1TB.390.058 |