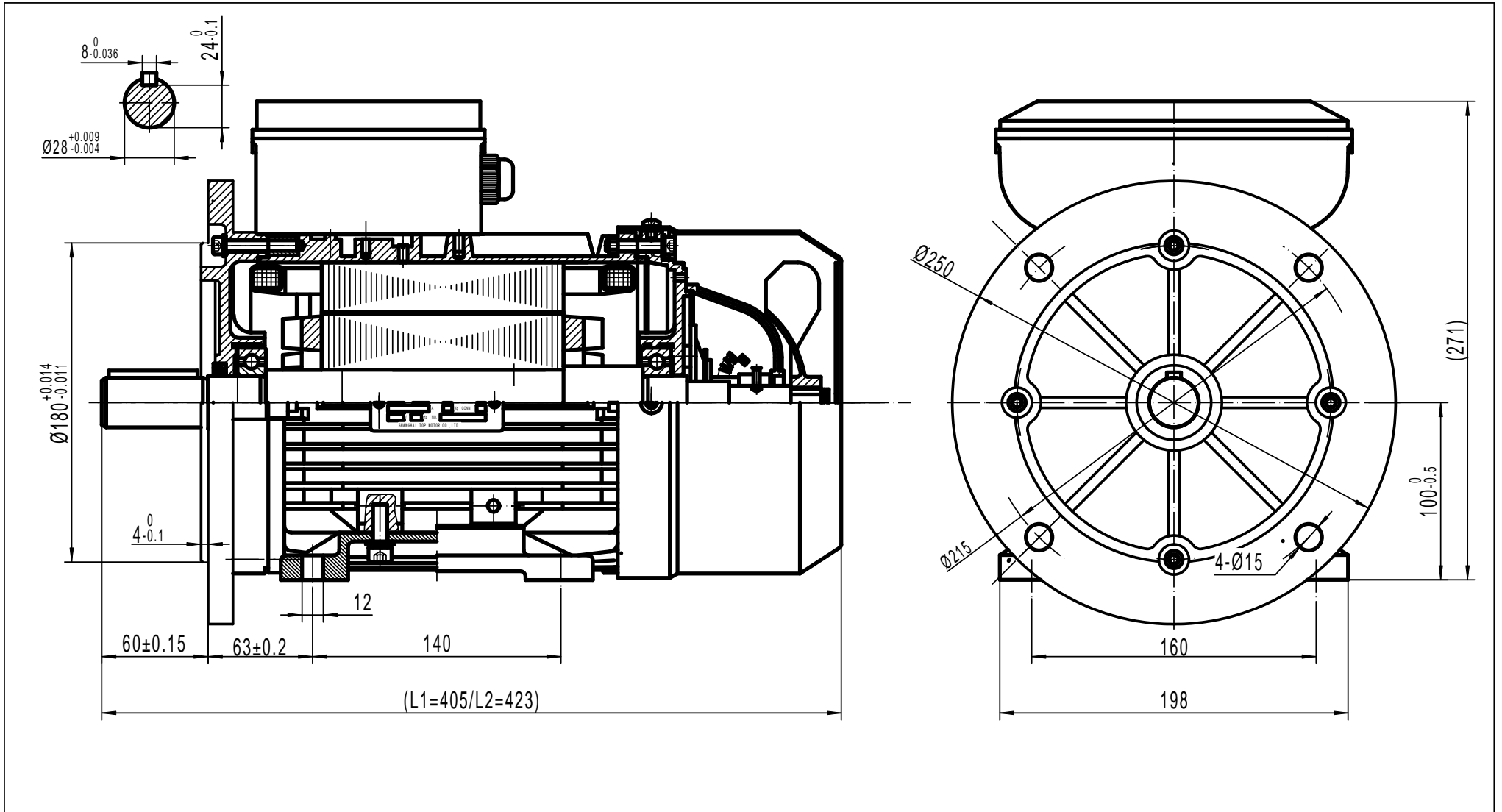


# OUTLINE DIMENSIONAL DRAWING



TECHTOP AUSTRALIA PTY LTD	
FRAME	TML 100A B35
DATE	DRAWING NO.
2008/05/20	1TB.390.055