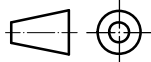
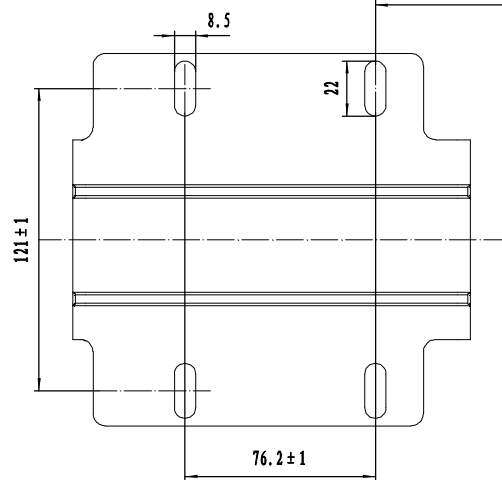
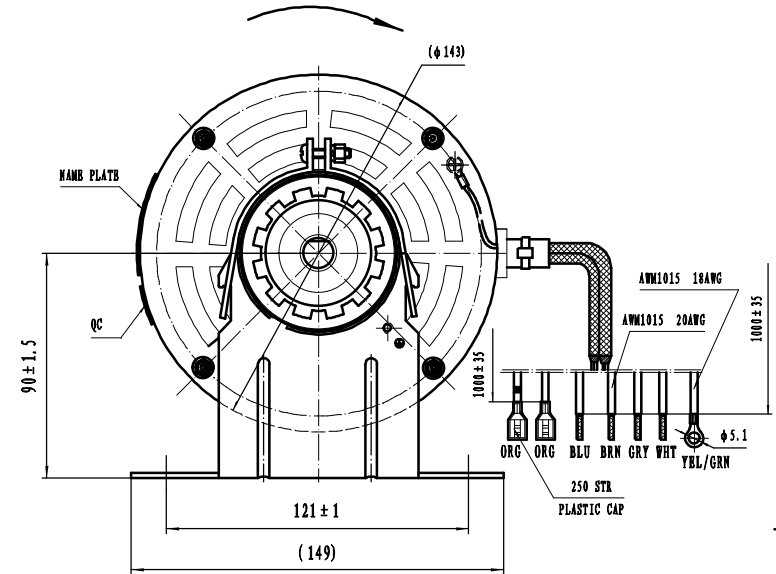
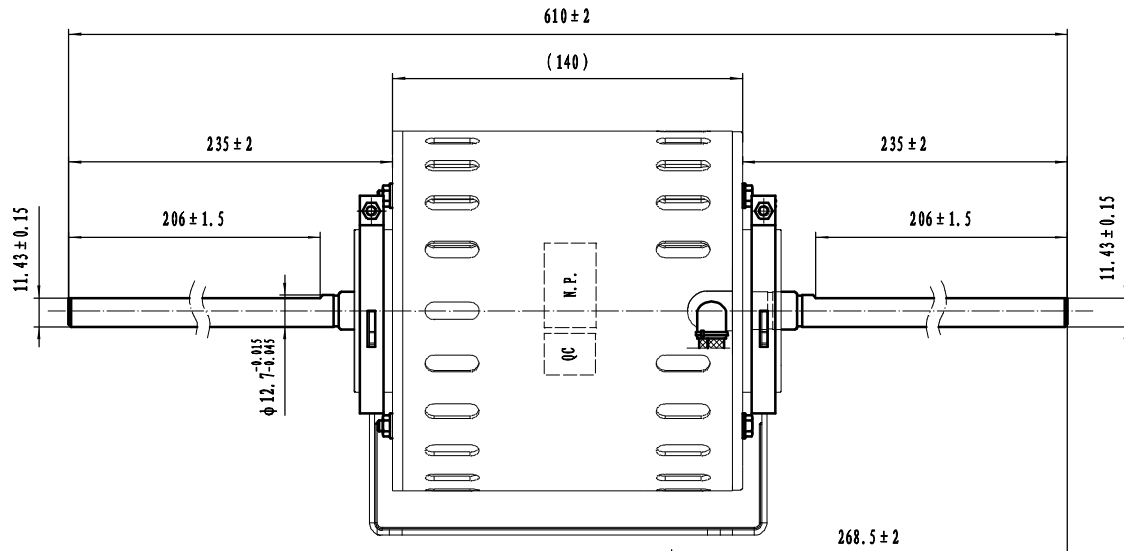


Y7S423F522

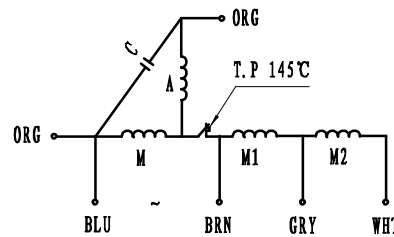
EDITION	A	DATE	20170119
---------	---	------	----------



UNITS: mm



CONNECT DIAGRAM



		WIRE DIAGRAM CAP: 15µF/440V BLU ORG BRN GRN WHT YBL/GRN 145/140	
		Y7S423F522 (TBR4A060CDM) 240V 50Hz AMP3.5 4P PHI CL: B 600W RPM1330/3SPD CAP: 15µF/440VAC THERMALLY-PROTECTED ROT WWW.TECHTOP.COM.AU	

TECHNIC REQUIREMENT

1. MOTOR RUNS WELL.
2. 240V 50Hz 15µF/440V RPM1330 4P CL: B
3. ROTATION CCW
4. ENDPLAY: 0.3-2.0;
5. BALL BEARING (C&U OR WHRBC OR NZSB OR SXA AND SO ON)

				TBR4A060CDM			ZHONGSHAN BROAD-OCEAN MOTOR CO., LTD.	
NO.	MARK	ALTERATION	SIGN	DATE	PHASE	WEIGHT	SCALE	
DESIGN	ZHIYUN LI	STANDARDIZATION					1:1	
DRAWING								
PROOFREAD		AUDITING						
TECHNICS		APPROVE			AGGRGATBLY	NO.		

OUTLINE