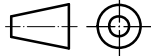
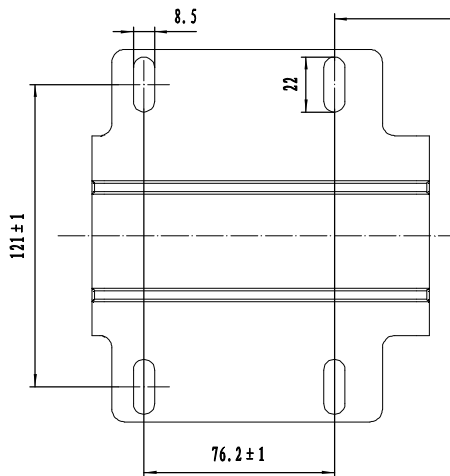
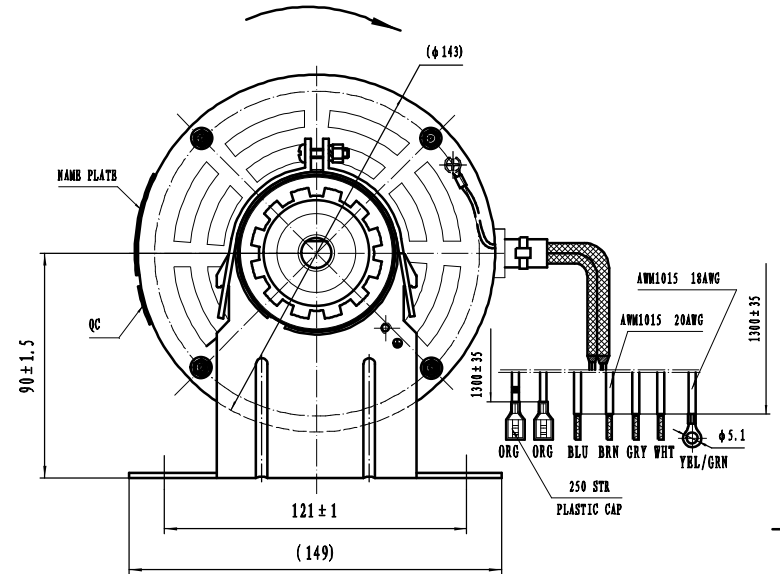
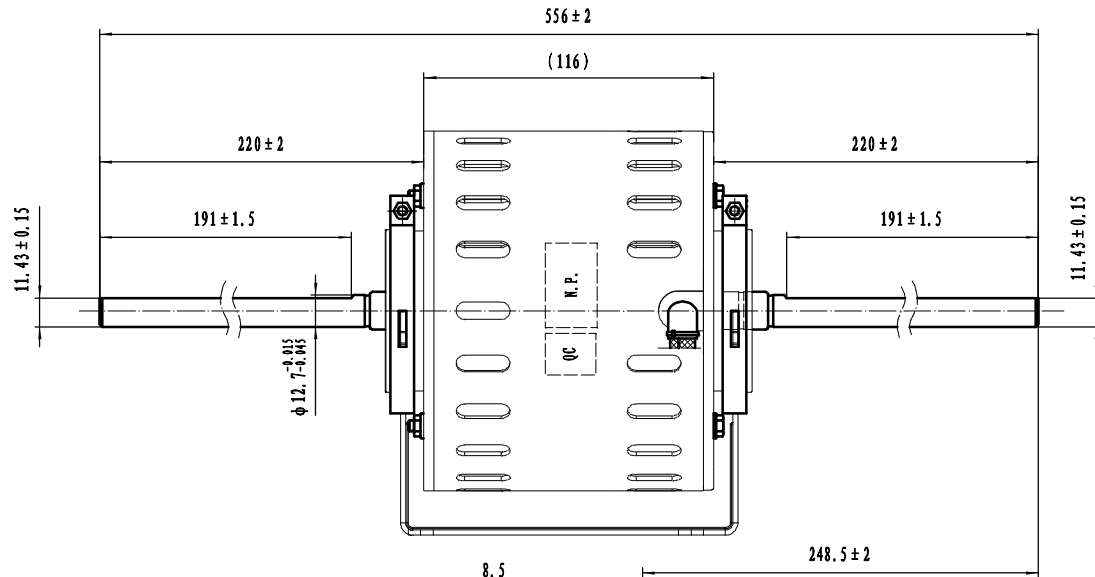


Y7S423D221

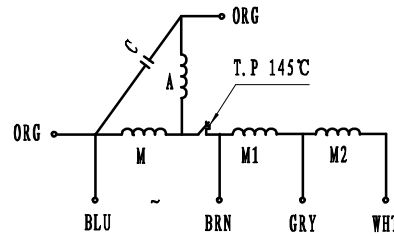
EDITION 01 DATE 20170119



UNITS: mm



CONNECT DIAGRAM



TECHTOP
 Y7S423D221 (TBR4A031CDM)
 240V 50Hz AMP: 6 4P PH1 CL: B
 315W RPM1350/3500 CAP: 4µF/440VAC
 THERMALLY-PROTECTED ROT
 WWW.TECHTOP.COM.AU

WIND DIAGRAM
 WHT
 GRN
 BRN
 BLU
 ORG

TECHNIC REQUIREMENT

1. MOTOR RUNS WELL.
2. 240V 50Hz 4µF/440V RPM1350 4P CL: B
3. ROTATION CCW
4. ENDPLAY: 0.3-2.0;
5. BALL BEARING (C&U OR WHRBC OR NZSB OR SXA AND SO ON)

						TBR4A031CDM			ZHONGSHAN BROAD-OCEAN MOTOR CO., LTD.	
NO.	MARK	ALTERATION	SIGN	DATE	PHASE		WEIGHT	SCALE	OUTLINE	
DESIGN		ZHIYUN LI						1:1		
DRAWING										
PROOFREAD		AUDITING								
TECHNICS		APPROVE			AGGRGATBLY	NO.				