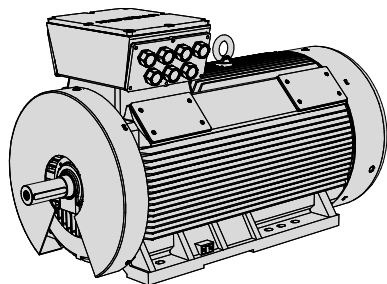


Large Low Voltage LVX Cast Iron Range - 2pole, 4pole, 6pole - Insulation System 1.5kV

Material	TYPE	Output		Frame Size	Speed		Voltage	Rated current 50Hz			60Hz	50Hz		Power Factor cosφ	Efficiency				Rated torque Nm	Ratio			Inertia kgm ²	Space Heaters	Weight kg
		50Hz kW	60Hz kW		50Hz rpm	60Hz rpm		380V A	400V A	415V A	460V A	660V A	690V A		Class	100% Load %	75% Load %	50% Load %		Starting current	Starting torque	B/down torque			
3000/3600rpm, 2-pole, 50/60Hz, IP55, Insulation F/B																									
	LVX(1.5kV) 355XB-2	400	460	355	2975	3570	380/660V, 400/690V 50Hz	706	671	647	671	407	389	0.9	n/a	95.6	95.6	88.9	1284	7.5	1.3	2	5.3	2x 110W	2180
	LVX(1.5kV) 355XC-2	450	518	355	2975	3570	380/660V, 400/690V 50Hz	793	753	726	753	457	437	0.9	n/a	95.8	95.8	89.1	1445	7.5	1.3	2	5.9	2x 110W	2340
	LVX(1.5kV) 355XD-2	500	575	355	2975	3570	380/660V, 400/690V 50Hz	881	837	807	837	507	485	0.9	n/a	95.8	95.8	89.1	1605	7.5	1.3	2	6.4	2x 110W	2520
	LVX(1.5kV) 400XA-2	560	644	400	2980	3570	380/660V, 400/690V 50Hz	990	940	906	940	570	545	0.9	n/a	95.5	95.5	88.8	1795	7.5	1.2	2.6	8.6	2x 110W	3200
	LVX(1.5kV) 400XB-2	630	725	400	2980	3570	380/660V, 400/690V 50Hz	1112	1057	1019	1057	640	613	0.9	n/a	95.6	95.6	88.9	2019	7.5	1.2	2.6	9.6	2x 110W	3490
	LVX(1.5kV) 400XC-2	710	n/a	400	2980	n/a	660V, 690V 50Hz					722	690	0.9	n/a	95.6	95.6	88.9	2275	7.5	1.2	2.6	11	2x 110W	3660
	LVX(1.5kV) 450XA-2	800	n/a	450	2985	n/a	660V, 690V 50Hz					814	778	0.9	n/a	95.6	95.6	88.9	2559	7.5	0.7	2	28.8	4x 110W	5000
	LVX(1.5kV) 450XB-2	900	n/a	450	2985	n/a	660V, 690V 50Hz					912	872	0.9	n/a	96.0	96.0	89.3	2879	7.5	0.7	2	32.5	4x 110W	5200
1500/1750rpm, 4-pole, 50/60Hz, IP55, Insulation F/B																									
	LVX(1.5kV) 355XB-4	400	460	355	1485	1785	380/660V, 400/690V 50Hz	730	693	668	693	420	402	0.87	n/a	95.7	95.7	89.0	2572	7	1.8	2	10.6	2x 110W	2300
	LVX(1.5kV) 355XC-4	450	518	355	1485	1785	380/660V, 400/690V 50Hz	820	779	751	779	472	452	0.87	n/a	95.8	95.8	89.1	2894	7	1.8	2	11.5	2x 110W	2460
	LVX(1.5kV) 355XD-4	500	575	355	1485	1785	380/660V, 400/690V 50Hz	912	866	835	866	525	502	0.87	n/a	95.8	95.8	89.1	3215	7.8	1.8	2	12.8	2x 110W	2720
	LVX(1.5kV) 400XA-4	560	644	400	1490	1785	380/660V, 400/690V 50Hz	996	946	912	946	573	548	0.89	n/a	96.0	96.0	89.3	3589	7	1.3	2.6	17.1	2x 110W	3360
	LVX(1.5kV) 400XB-4	630	725	400	1490	1785	380/660V, 400/690V 50Hz	1120	1064	1026	1064	645	617	0.89	n/a	96.0	96.0	89.3	4038	7	1.3	2.6	18.5	2x 110W	3430
	LVX(1.5kV) 400XC-4	710	817	400	1490	1785	380/660V, 400/690V 50Hz	1256	1197	1154	1197	725	694	0.89	n/a	96.2	96.2	89.5	4551	7	1.3	2.6	21.1	2x 110W	3620
	LVX(1.5kV) 450XA-4	800	920	450	1490	1785	660V, 690V 50Hz					842	805	0.87	n/a	95.6	95.6	88.9	5128	7.5	1.1	2	36.2	4x 110W	5200
	LVX(1.5kV) 450XB-4	900	1035	450	1490	1785	660V, 690V 50Hz					943	902	0.87	n/a	96.0	96.0	89.3	5768	7.5	1.1	2	40.3	4x 110W	5500
	LVX(1.5kV) 500XA-4	1000	1150	500	1490	1785	660V, 690V 50Hz					1053	1007	0.87	n/a	95.5	95.5	88.8	6409	7	0.7	2.2	60	2x 250W	6750
	LVX(1.5kV) 500XB-4	1120	1288	500	1490	1785	660V, 690V 50Hz					1165	1114	0.88	n/a	95.6	95.6	88.9	7179	7.5	0.7	2.2	68	2x 250W	7250
	LVX(1.5kV) 500XC-4	1250	1438	500	1490	1785	660V, 690V 50Hz					1298	1242	0.88	n/a	95.7	95.7	89.0	8012	8.5	0.7	2.5	78	2x 250W	7500
	LVX(1.5kV) 560XA-4	1400	1610	560	1490	1785	660V, 690V 50Hz					1440	1377	0.89	n/a	95.6	95.6	88.9	8973	6	0.9	2	82.5	2x 250W	8570
	LVX(1.5kV) 560XB-4	1500	1725	560	1490	1785	660V, 690V 50Hz					1545	1475	0.89	n/a	95.6	95.6	88.9	9614	6	0.9	2	91	2x 250W	8700
1000/1200rpm, 6-pole, 50/60Hz, IP55, Insulation F/B																									
	LVX(1.5kV) 355XB-6	315	362	355	990	1185	380/660V, 400/690V 50Hz	593	563	543	563	341	326	0.85	IE2	95.0	95.0	88.4	3039	6.5	1.8	2	13.5	2x 110W	2310
	LVX(1.5kV) 355XC-6	355	408	355	990	1185	380/660V, 400/690V 50Hz	666	635	612	635	383	368	0.85	IE2	95.0	95.0	88.4	3424	6.5	1.8	2	14.3	2x 110W	2490
	LVX(1.5kV) 355XD-6	400	460	355	990	1185	380/660V, 400/690V 50Hz	750	713	687	713	432	413	0.85	n/a	95.3	95.3	88.6	3859	6.5	1.8	2	15.4	2x 110W	2630
	LVX(1.5kV) 400XA-6	450	518	400	990	1185	380/660V, 400/690V 50Hz	832	790	761	790	479	458	0.86	n/a	95.6	95.6	88.9	4341	6.8	1.3	2.6	23.5	2x 110W	3660
	LVX(1.5kV) 400XB-6	500	575	400	990	1185	380/660V, 400/690V 50Hz	923	877	845	877	531	508	0.86	n/a	95.7	95.7	89.0	4823	6.8	1.3	2.6	26.4	2x 110W	3750
	LVX(1.5kV) 400XC-6	560	644	400	990	1185	380/660V, 400/690V 50Hz	1034	982	947	982	595	569	0.86	n/a	95.7	95.7	89.0	5402	6.8	1.3	2.6	28.8	2x 110W	3820
	LVX(1.5kV) 450XA-6	630	725	450	990	1185	380/660V, 400/690V 50Hz	1217	1156	1114	1156	701	670	0.83	n/a	94.8	94.8	88.2	6077	7	1.1	1.8	46.4	4x 110W	4800
	LVX(1.5kV) 450XB-6	710	817	450	990	1185	660V, 690V 50Hz					786	752	0.83	n/a	95.2	95.2	88.5	6849	7	1.1	1.8	50.2	4x 110W	5200
	LVX(1.5kV) 450XC-6	800	920	450	990	1185	660V, 690V 50Hz					883	845	0.83	n/a	95.5	95.5	88.8	7717	7	1.1	1.8	56.7	4x 110W	5600
	LVX(1.5kV) 500XA-6	900	1035	500	990	1185	660V, 690V 50Hz					980	938	0.84	n/a	95.6	95.6	88.9	8682	7	1	2.2	89	2x 250W	6750
	LVX(1.5kV) 500XB-6	1000	1150	500	990	1185	660V, 690V 50Hz					1089	1042	0.84	n/a	95.6	95.6	88.9	9646	7.5	1	2.2	98	2x 250W	7150
	LVX(1.5kV) 500XC-6	1120	1288	500	990	1185	660V, 690V 50Hz					1219	1166	0.84	n/a	95.7	95.7	89.0	10804	7.5	1	2.2	105	2x 250W	7250
	LVX(1.5kV) 560XA-6	1250	1438	560	995	1185	660V, 690V 50Hz					1345	1286	0.85	n/a	95.7	95.7	89.0	11997	6.5	0.8	1.8	105	2x 250W	8200
	LVX(1.5kV) 560XB-6	1400	1610	560	995	1185	660V, 690V 50Hz					1500	1436	0.85	n/a	96.0	96.0	89.3	13437	7	0.8	1.8	130	2x 250W	8500



Thermistors: winding 6x PT100; each bearing 1x PT100

Large Low Voltage LVX Cast Iron Range - 8pole, 10pole, 12pole - Insulation System 1.5kV

Material	TYPE	Output		Frame Size	Speed		Voltage	Rated current 50Hz			60Hz	50Hz		Power Factor cosφ	Efficiency				Rated torque Nm	Ratio			Inertia kgm ²	Space Heaters	Weight kg
		50Hz kW	60Hz kW		50Hz rpm	60Hz rpm		380V A	400V A	415V A	460V A	660V A	690V A		Class	100% Load %	75% Load %	50% Load %		Starting current	Starting torque	B/down torque			
750/900rpm, 8-pole, 50/60Hz, IP55, Insulation F/B																									
	LVX(1.5kV) 355XB-8	250	288	355	740	885	380/660V, 400/690V 50Hz	520	494	476	494	300	287	0.77	n/a	94.8	94.8	88.2	3226	6.5	1.6	2	14.3	2x 110W	2410
	LVX(1.5kV) 355XC-8	280	322	355	740	885	380/660V, 400/690V 50Hz	582	553	533	553	335	320	0.77	n/a	95.0	95.0	88.4	3614	6.5	1.8	2	15	2x 110W	2600
	LVX(1.5kV) 355XD-8	315	362	355	740	885	380/660V, 400/690V 50Hz	654	622	599	622	377	360	0.77	n/a	95.0	95.0	88.4	4065	6.5	1.8	2	15.9	2x 110W	2750
	LVX(1.5kV) 400XA-8	355	408	400	740	885	380/660V, 400/690V 50Hz	684	650	626	650	394	377	0.83	n/a	95.0	95.0	88.4	4581	6	1.2	2.4	24.2	2x 110W	3350
	LVX(1.5kV) 400XB-8	400	460	400	740	885	380/660V, 400/690V 50Hz	771	732	706	732	444	424	0.83	n/a	95.0	95.0	88.4	5162	6	1.2	2.4	26	2x 110W	3430
	LVX(1.5kV) 400XC-8	450	518	400	740	885	380/660V, 400/690V 50Hz	865	822	792	822	498	477	0.83	n/a	95.2	95.2	88.5	5807	6	1.2	2.4	29	2x 110W	3760
	LVX(1.5kV) 450XA-8	500	575	450	745	885	380/660V, 400/690V 50Hz	1064	1010	974	1010	613	586	0.76	n/a	94.0	94.0	87.4	6409	7	1.1	1.8	48.5	4x 110W	4900
	LVX(1.5kV) 450XB-8	560	644	450	745	885	380/660V, 400/690V 50Hz	1185	1125	1085	1125	682	652	0.76	n/a	94.5	94.5	87.9	7179	7	1.1	1.8	52.1	4x 110W	5300
	LVX(1.5kV) 500XA-8	630	725	500	740	885	380/660V, 400/690V 50Hz	1233	1176	1133	1176	712	681	0.81	n/a	95.5	95.5	88.8	8130	7	0.8	2.2	88	2x 250W	6750
	LVX(1.5kV) 500XB-8	710	817	500	740	885	380/660V, 400/690V 50Hz	1391	1325	1277	1325	803	768	0.81	n/a	95.5	95.5	88.8	9163	7	0.8	2.2	92	2x 250W	7000
	LVX(1.5kV) 500XC-8	800	920	500	740	885	380/660V, 400/690V 50Hz	1566	1491	1437	1491	904	864	0.81	n/a	95.6	95.6	88.9	10324	7	0.8	2.2	105	2x 250W	7250
	LVX(1.5kV) 560XA-8	900	1035	560	745	885	660V, 690V 50Hz					1020	974	0.81	n/a	95.5	95.5	88.8	11537	5.5	0.8	1.8	135	2x 250W	8000
	LVX(1.5kV) 560XB-8	1000	1150	560	745	885	660V, 690V 50Hz					1130	1079	0.81	n/a	95.7	95.7	89.0	12819	5.5	0.8	1.8	160	2x 250W	8500
600/720rpm, 10-pole, 50/60Hz, IP55, Insulation F/B																									
	LVX(1.5kV) 355XA-10	180	207	355	590	705	380/660V, 400/690V 50Hz	386	367	353	367	222	213	0.75	n/a	94.5	94.5	87.9	2914	5.5	1.2	1.8	15.6	2x 110W	2150
	LVX(1.5kV) 355XB-10	200	230	355	590	705	380/660V, 400/690V 50Hz	428	406	392	406	246	236	0.75	n/a	94.7	94.7	88.1	3237	5.5	1.2	1.8	17.8	2x 110W	2230
	LVX(1.5kV) 355XC-10	225	259	355	590	705	380/660V, 400/690V 50Hz	481	457	441	457	277	265	0.75	n/a	94.7	94.7	88.1	3642	5.5	1.2	1.8	19.4	2x 110W	2410
	LVX(1.5kV) 355XD-10	250	288	355	590	705	380/660V, 400/690V 50Hz	533	506	488	506	307	294	0.75	n/a	95.0	95.0	88.4	4047	5.5	1.2	1.8	21.3	2x 110W	2600
	LVX(1.5kV) 400XA-10	280	322	400	590	705	380/660V, 400/690V 50Hz	560	532	513	532	322	308	0.8	n/a	95.0	95.0	88.4	4532	5.5	1	2.3	25.6	2x 110W	3220
	LVX(1.5kV) 400XB-10	315	362	400	590	705	380/660V, 400/690V 50Hz	630	598	577	598	363	347	0.8	n/a	95.0	95.0	88.4	5099	5.5	1	2.3	26.9	2x 110W	3450
	LVX(1.5kV) 450XA-10	355	408	450	595	705	380/660V, 400/690V 50Hz	767	728	702	728	442	422	0.75	n/a	93.8	93.8	87.2	5698	6.5	0.9	1.8	42.5	4x 110W	5100
	LVX(1.5kV) 450XB-10	400	460	450	595	705	380/660V, 400/690V 50Hz	860	817	788	817	495	474	0.75	n/a	94.2	94.2	87.6	6420	6.5	0.9	1.8	46.2	4x 110W	5400
	LVX(1.5kV) 450XC-10	450	518	450	595	705	380/660V, 400/690V 50Hz	965	916	883	916	556	531	0.75	n/a	94.5	94.5	87.9	7223	6.5	0.9	1.8	50.2	4x 110W	5700
	LVX(1.5kV) 500XA-10	500	575	500	590	705	380/660V, 400/690V 50Hz	992	946	911	946	573	548	0.8	n/a	95.4	95.4	88.7	8093	7	1	2.2	98	2x 250W	6650
	LVX(1.5kV) 500XB-10	560	644	500	590	705	380/660V, 400/690V 50Hz	1112	1059	1021	1059	642	614	0.8	n/a	95.4	95.4	88.7	9064	7	1	2.2	110	2x 250W	6850
	LVX(1.5kV) 500XC-10	630	725	500	590	705	380/660V, 400/690V 50Hz	1249	1190	1147	1190	721	690	0.8	n/a	95.5	95.5	88.8	10197	7	1	2.2	125	2x 250W	7000
	LVX(1.5kV) 560XA-10	710	817	560	595	705	380/660V, 400/690V 50Hz	1384	1318	1270	1318	799	764	0.81	n/a	96.0	96.0	89.3	11396	6.5	0.8	1.8	83.5	2x 250W	6880
	LVX(1.5kV) 560XB-10	800	920	560	595	705	380/660V, 400/690V 50Hz	1560	1482	1428	1482	900	859	0.81	n/a	96.2	96.2	89.5	12840	6.5	0.8	1.8	85.3	2x 250W	7080
	LVX(1.5kV) 560XC-10	900	1035	560	595	705	660V, 690V 50Hz					1012	963	0.81	n/a	96.5	96.5	89.7	14445	6.5	0.8	1.8	90.4	2x 250W	7350
500/600rpm, 12-pole, 50/60Hz, IP55, Insulation F/B																									
	LVX(1.5kV) 355XA-12	132	152	355	490	585	380/660V, 400/690V 50Hz	304	289	278	289	175	167	0.71	n/a	93.0	93.0	86.5	2573	5	1	1.8	13.5	2x 110W	2145
	LVX(1.5kV) 355XB-12	160	184	355	490	585	380/660V, 400/690V 50Hz	368	350	337	350	212	203	0.71	n/a	93.0	93.0	86.5	3118	5	1	1.8	15.8	2x 110W	2210
	LVX(1.5kV) 355XC-12	180	207	355	490	585	380/660V, 400/690V 50Hz	414	393	379	393	239	228	0.71	n/a	93.0	93.0	86.5	3508	5	1	1.8	18.5	2x 110W	2410
	LVX(1.5kV) 400XA-12	200	230	400	490	585	380/660V, 400/690V 50Hz	437	415	400	415	252	241	0.74	n/a	94.0	94.0	87.4	3898	5.5	1	2	24.8	2x 110W	3220
	LVX(1.5kV) 400XB-12	225	259	400	490	585	380/660V, 400/690V 50Hz	490	466	449	466	282	270	0.74	n/a	94.2	94.2	87.6	4385	5.5	1	2	25.6	2x 110W	3450
	LVX(1.5kV) 450XA-12	250	288	450	495	585	380/660V, 400/690V 50Hz	556	528	509	528	320	306	0.73	n/a	93.6	93.6	87.0	4823	6	0.8	1.8	48.3	4x 110W	5400
	LVX(1.5kV) 450XB-12	280	322	450	495	585	380/660V, 400/690V 50Hz	620	589	568	589	357	341	0.73	n/a	94.0	94.0	87.4	5402	6	0.8	1.8	53.2	4x 110W	5800
	LVX(1.5kV) 450XC-12	315	362	450	495	585	380/660V, 400/690V 50Hz	696	660	637	660	400	383	0.73	n/a	94.3	94.3	87.7	6077	6	0.8	1.8	59.4	4x 110W	6200
	LVX(1.5kV) 500XA-12	355	408	500	490	585	380/660V, 400/690V 50Hz	746	709	683	709	430	411	0.76	n/a	95.1	95.1	88.4	6919	6	0.8	1.8	100	2x 250W	6500
	LVX(1.5kV) 500XB-12	400	460	500	490	585	380/660V, 400/690V 50Hz	840	798	769	798	484	463	0.76	n/a	95.2	95.2	88.5	7796	6	0.8	1.8	112	2x 250W	6750
	LVX(1.5kV) 500XC-12	450	518	500	490	585	380/660V, 400/690V 50Hz	944	897	864	897	544	520	0.76	n/a	95.3	95.3	88.6	8770	6	0.8	1.8	126	2x 250W	6950
	LVX(1.5kV) 560XA-12	500	575	560	495	585	380/660V, 400/690V 50Hz	1039	987	951	987	598	572	0.77	n/a	95.0	95.0	88.4	9646	6.5	0.8	1.8	135	2x 250W	6900
	LVX(1.5kV) 560XB-12	560	644	560	495	585	380/660V, 400/690V 50Hz	1163	1105	1065	1105	670	641	0.77	n/a	95.0	95.0	88.4	10804	6.5	0.8	1.8	152	2x 250W	7100
	LVX(1.5kV) 560XC-12	630	725	560	495	585	380/660V, 400/690V 50Hz	1305	1239	1194	1239	751	718	0.77	n/a	95.3	95.3	88.6	12155	6.5	0.8	1.8	172	2x 250W	7500

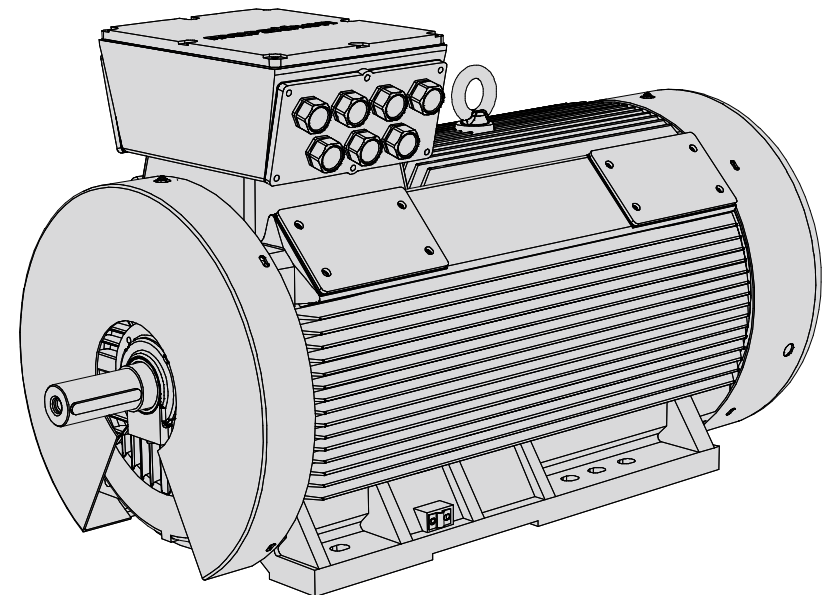
Large Low Voltage LVX Cast Iron Range - 2pole, 4pole, 6pole - Insulation System 3kV

Material	TYPE	Output		Frame Size	Speed		Voltage	Rated current 50Hz				60Hz		50Hz		Power Factor cosφ	Efficiency				Rated torque Nm	Ratio			Inertia kgm ²	Space Heaters	Weight kg
		50Hz kW	60Hz kW		50Hz rpm	60Hz rpm		380V A	400V A	415V A	460V A	660V A	690V A	Class	100% Load %		75% Load %	50% Load %	Starting current	Starting torque		B/down torque					
3000/3600rpm, 2-pole, 50/60Hz, IP55, Insulation F/B																											
	LVX(3KV) 450X1-2	560	644	450	2980	3570	380/660V, 400/690V 50Hz	990	940	906	940	570	545	0.9	n/a	95.5	95.5	88.8	1795	7.5	1.2	2.6	17.7	2x 110W	3700		
	LVX(3KV) 450X2-2	630	725	450	2980	3570	380/660V, 400/690V 50Hz	1113	1057	1019	1057	641	613	0.9	n/a	95.6	95.6	88.9	2019	7.5	1.2	2.6	21.4	2x 110W	4150		
	LVX(3KV) 450X3-2	710	817	450	2980	3570	660V, 690V 50Hz					747	714	0.87	n/a	95.6	95.6	88.9	2275	7.5	1.2	2.6	25.1	2x 110W	4600		
	LVX(3KV) 450XA-2	800	920	450	2985	3570	660V, 690V 50Hz					841	805	0.87	n/a	95.6	95.6	88.9	2559	7.5	0.7	2	28.8	4x 110W	5050		
	LVX(3KV) 450XB-2	900	1035	450	2985	3570	660V, 690V 50Hz					947	905	0.87	n/a	95.6	95.6	88.9	2879	7.5	0.7	2	32.5	4x 110W	5500		
1500/1750rpm, 4-pole, 50/60Hz, IP55, Insulation F/B																											
	LVX(3KV) 355XA-4	355	408	355	1485	1785	380/660V, 400/690V 50Hz	652	619	597	619	375	359	0.87	IE2	95.1	95.1	88.4	2283	7	1.8	2	9.8	2x 110W	2560		
	LVX(3KV) 400X1-4	400	460	400	1485	1785	380/660V, 400/690V 50Hz	730	693	668	693	420	402	0.87	n/a	95.7	95.7	89.0	2572	7	1.8	2	10.6	2x 110W	2560		
	LVX(3KV) 400X2-4	450	518	400	1485	1785	380/660V, 400/690V 50Hz	821	780	752	780	473	452	0.87	n/a	95.7	95.7	89.0	2894	7	1.8	2	11.6	2x 110W	2960		
	LVX(3KV) 400X3-4	500	575	400	1485	1785	380/660V, 400/690V 50Hz	911	866	835	866	525	502	0.87	n/a	95.8	95.8	89.1	3215	7.8	1.8	2	12.8	2x 110W	3360		
	LVX(3KV) 400X4-4	560	644	400	1490	1785	380/660V, 400/690V 50Hz	1007	957	922	957	580	555	0.88	n/a	96.0	96.0	89.3	3589	7	1.3	2.6	17.1	2x 110W	3760		
	LVX(3KV) 450X1-4	630	725	450	1490	1785	380/660V, 400/690V 50Hz	1133	1076	1038	1076	652	624	0.88	n/a	96.0	96.0	89.3	4038	7	1.3	2.6	28	2x 110W	4600		
	LVX(3KV) 450X2-4	710	817	450	1490	1785	380/660V, 400/690V 50Hz	1274	1211	1167	1211	734	702	0.88	n/a	96.2	96.2	89.5	4551	7	1.3	2.6	32.1	2x 110W	5050		
	LVX(3KV) 450XA-4	800	920	450	1490	1785	660V, 690V 50Hz					841	805	0.87	n/a	95.6	95.6	88.9	5128	7.5	1.1	2	36.2	4x 110W	5500		
	LVX(3KV) 450XB-4	900	1035	450	1490	1785	660V, 690V 50Hz					947	905	0.87	n/a	95.6	95.6	88.9	5768	7.5	1.1	2	40.3	4x 110W	5950		
	LVX(3KV) 500XA-4	1000	1150	500	1490	1785	660V, 690V 50Hz					1053	1007	0.87	n/a	95.5	95.5	88.8	6409	7	0.7	2.2	60	2x 250W	7250		
	LVX(3KV) 500XB-4	1120	1288	500	1490	1785	660V, 690V 50Hz					1165	1114	0.88	n/a	95.6	95.6	88.9	7179	7.5	0.7	2.2	68	2x 250W	7750		
	LVX(3KV) 500XC-4	1250	1438	500	1490	1785	660V, 690V 50Hz					1298	1242	0.88	n/a	95.7	95.7	89.0	8012	8.5	0.7	2.5	78	2x 250W	8250		
	LVX(3KV) 560XA-4	1400	1610	560	1490	1785	660V, 690V 50Hz					1439	1377	0.89	n/a	95.6	95.6	88.9	8973	6	0.9	2	82.5	2x 250W	9350		
	LVX(3KV) 560XB-4	1500	1725	560	1490	1785	660V, 690V 50Hz					1542	1475	0.89	n/a	95.6	95.6	88.9	9614	6	0.9	2	91	2x 250W	9850		
1000/1200rpm, 6-pole, 50/60Hz, IP55, Insulation F/B																											
	LVX(3KV) 355XB-6	315	362	355	990	1185	380/660V, 400/690V 50Hz	593	563	543	563	341	326	0.85	IE2	95.0	95.0	88.4	3039	6.5	1.8	2	13.5	2x 110W	2610		
	LVX(3KV) 400X1-6	355	408	400	990	1185	380/660V, 400/690V 50Hz	668	635	612	635	385	368	0.85	IE2	95.0	95.0	88.4	3424	6.5	1.8	2	17.7	2x 110W	3050		
	LVX(3KV) 400X2-6	400	460	400	990	1185	380/660V, 400/690V 50Hz	750	713	687	713	432	413	0.85	n/a	95.3	95.3	88.6	3859	6.5	1.8	2	20.6	2x 110W	3400		
	LVX(3KV) 400XA-6	450	518	400	990	1185	380/660V, 400/690V 50Hz	841	799	770	799	484	463	0.85	n/a	95.6	95.6	88.9	4341	6.8	1.3	2.6	23.5	2x 110W	3750		
	LVX(3KV) 400XB-6	500	575	400	990	1185	380/660V, 400/690V 50Hz	934	887	855	887	538	514	0.85	n/a	95.7	95.7	89.0	4823	6.8	1.3	2.6	26.4	2x 110W	4100		
	LVX(3KV) 450X-6	560	644	450	990	1185	380/660V, 400/690V 50Hz	1034	982	947	982	595	569	0.86	n/a	95.7	95.7	89.0	5402	6.8	1.3	2.6	42.6	2x 110W	4800		
	LVX(3KV) 450XA-6	630	725	450	990	1185	380/660V, 400/690V 50Hz	1217	1156	1114	1156	700	670	0.83	n/a	94.8	94.8	88.2	6077	7	1.1	1.8	46.4	4x 110W	5200		
	LVX(3KV) 450XB-6	710	817	450	990	1185	660V, 690V 50Hz					786	752	0.83	n/a	95.2	95.2	88.5	6849	7	1.1	1.8	50.2	4x 110W	5600		
	LVX(3KV) 500X-6	800	920	500	990	1185	660V, 690V 50Hz					883	845	0.83	n/a	95.5	95.5	88.8	7717	7	1.1	1.8	80	4x 110W	6650		
	LVX(3KV) 500XA-6	900	1035	500	990	1185	660V, 690V 50Hz					980	938	0.84	n/a	95.6	95.6	88.9	8682	7	1	2.2	89	2x 250W	7150		
	LVX(3KV) 500XB-6	1000	1150	500	990	1185	660V, 690V 50Hz					1089	1042	0.84	n/a	95.6	95.6	88.9	9646	7.5	1	2.2	98	2x 250W	7650		
	LVX(3KV) 560X-6	1120	1288	560	990	1185	660V, 690V 50Hz					1219	1166	0.84	n/a	95.7	95.7	89.0	10804	7.5	1	2.2	90	2x 250W	7990		
	LVX(3KV) 560XA-6	1250	1438	560	995	1185	660V, 690V 50Hz					1344	1286	0.85	n/a	95.7	95.7	89.0	11997	6.5	0.8	1.8	105	2x 250W	8500		
	LVX(3KV) 560XB-6	1400	1610	560	995	1185	660V, 690V 50Hz					1501	1436	0.85	n/a	96.0	96.0	89.3	13437	7	0.8	1.8	130	2x 250W	9010		

Thermistors: winding 6x PT100; each bearing 1x PT100

Large Low Voltage LVX Cast Iron Range - 8pole - Insulation System 3kV

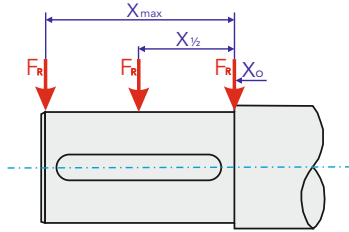
Material	TYPE	Output		Frame Size	Speed		Voltage	Rated current				50Hz	Power Factor	Efficiency				Rated torque	Ratio			Inertia kgm ²	Space Heaters	Weight kg		
		50Hz kW	60Hz kW		50Hz rpm	60Hz rpm		380V A	400V A	415V A	460V A			660V A	690V A	Class	100% Load %		75% Load %	50% Load %	Starting current				Starting torque	B/down torque
750/900rpm, 8-pole, 50/60Hz, IP55, Insulation F/B																										
	LVX(3KV) 355XB-8	250	288	355	740	885	380/660V, 400/690V 50Hz	520	494	476	494	300	287	0.77	n/a	94.8	94.8	88.2	3226	6.5	1.6	2	14.3	2x 110W	2710	
	LVX(3KV) 400X-8	315	362	400	740	885	380/660V, 400/690V 50Hz	654	622	599	622	377	360	0.77	n/a	95.0	95.0	88.4	4065	6.5	1.8	2	22.4	2x 110W	3080	
	LVX(3KV) 400XA-8	355	408	400	740	885	380/660V, 400/690V 50Hz	692	658	634	658	399	381	0.82	n/a	95.0	95.0	88.4	4581	6	1.2	2.4	24.2	2x 110W	3430	
	LVX(3KV) 400XB-8	400	460	400	740	885	380/660V, 400/690V 50Hz	780	741	714	741	449	430	0.82	n/a	95.0	95.0	88.4	5162	6	1.2	2.4	26	2x 110W	3780	
	LVX(3KV) 450X-8	450	518	450	740	885	380/660V, 400/690V 50Hz	865	822	792	822	498	477	0.83	n/a	95.2	95.2	88.5	5807	6	1.2	2.4	44.9	2x 110W	4800	
	LVX(3KV) 450XA-8	500	575	450	745	885	380/660V, 400/690V 50Hz	1063	1010	974	1010	612	586	0.76	n/a	94.0	94.0	87.4	6409	7	1.1	1.8	48.5	4x 110W	5200	
	LVX(3KV) 450XB-8	560	644	450	745	885	380/660V, 400/690V 50Hz	1185	1125	1085	1125	682	652	0.76	n/a	94.5	94.5	87.9	7179	7	1.1	1.8	52.1	4x 110W	5600	
	LVX(3KV) 500XA-8	630	725	500	740	885	380/660V, 400/690V 50Hz	1237	1176	1133	1176	712	681	0.81	n/a	95.5	95.5	88.8	8130	7	0.8	2.2	88	2x 250W	7000	
	LVX(3KV) 500XB-8	710	817	500	740	885	380/660V, 400/690V 50Hz	1395	1325	1277	1325	803	768	0.81	n/a	95.5	95.5	88.8	9163	7	0.8	2.2	92	2x 250W	7250	
	LVX(3KV) 500XC-8	800	920	500	740	885	380/660V, 400/690V 50Hz	1570	1491	1437	1491	904	864	0.81	n/a	95.6	95.6	88.9	10324	7	0.8	2.2	105	2x 250W	7500	
	LVX(3KV) 560XA-8	900	1035	560	745	885	660V, 690V 50Hz					1018	974	0.81	n/a	95.5	95.5	88.8	11537	5.5	0.8	1.8	135	2x 250W	8400	
	LVX(3KV) 560XB1-8	1000	1150	560	745	885	660V, 690V 50Hz					1129	1079	0.81	n/a	95.7	95.7	89.0	12819	5.5	0.8	1.8	160	2x 250W	8800	
	LVX(3KV) 560XB2-8	1120	1288	560	745	885	660V, 690V 50Hz					1264	1209	0.81	n/a	95.7	95.7	89.0	14357	5.5	0.8	1.8	189	2x 250W	9200	



Low Voltage - Permissible Shaft Forces

Maximum Radial Forces F_R [N] - Ball Bearings				
Size	Poles	X_0	$X_{1/2}$	X_{max}
56	2	250	180	100
	4	250	180	100
63	2	360	300	230
	4	360	300	230
71	2	470	400	320
	4	470	400	320
80	2	670	610	550
	4	730	650	590
90	2	740	660	590
	4	800	710	630
100	2	920	810	730
	4	1010	890	800
112	2	1030	920	820
	4	1110	990	890
125	2	1270	1130	1020
	4	1400	1240	1120
132	2	1490	1330	1200
	4	1600	1430	1290
160	2	1840	1640	1480
	4	2020	1800	1630
180	2	2160	1900	1690
	4	2330	2040	1820
200	2	2670	2340	2080
	4	2940	2570	2290
225	2	2800	2440	2170
	4	3000	2630	2330
250	2	3440	3010	2670
	4	3850	3410	3060
280	2	3930	3500	3150
	4	4240	3770	3390
315	2	4890	4390	3980
	4	5380	4830	4380
355	2	4480	4050	3700
	4	4820	4360	3980
400	2	5520	5000	4560
	4	6080	5500	5020
450	2	5000	4540	4160
	4	5360	4720	4210
500	2	6180	5480	4920
	4	6750	5940	5310
560	2	5680	5100	4620
	4	6120	5490	4980
630	2	7000	6280	5700
	4	7710	6920	6270
710	2	5620	5080	4640
	4	7790	7050	6430
800	2	8920	8060	7360
	4	9820	8880	8100
900	2	7370	6840	6390
	4	9150	8370	7720
1000	2	10480	9590	8830
	4	11530	10550	9720
1120	2	16330	15390	8730
	4	28300	25860	14290
1250	2	32400	29600	16350
	4	35660	32580	18000
1400	2	--	--	--
	4	33730	31140	19280
1600	2	38610	35650	22070
	4	42500	39240	24290

The table shows the Permissible Radial Forces in [N], assuming zero axial force and standard ball bearings. In case of higher Radial Force requirement motors with roller bearings should be ordered. The values are based on normal conditions at 50Hz and calculated at 20,000 working hours for the 2pole motors and 40,0000 working hours for 4, 6 & 8pole motors. Reduce the values by 10% for 60Hz speeds.



LVX - Large LV Motors

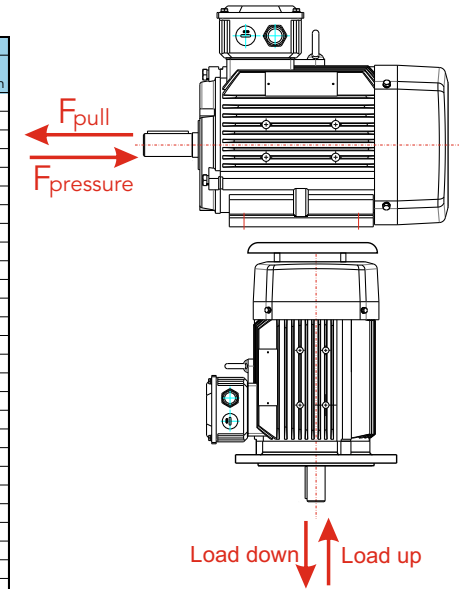
Frame	Maximum Radial Force - Ball Bearing at DE					
	Poles	D	E	X_0	$X_{1/2}$	X_{max}
355	2	75	140	360N	170N	103N
	4	95	170	3.2kN	1.5kN	0.95kN
	6	95	170	4.3kN	1.9kN	1.05kN
	8	95	170	4.8kN	2.1kN	1.45kN
400	2	80	170	380N	188N	125N
	4	110	210	3.6kN	1.7kN	1.1kN
	6	110	210	4.6kN	2.2kN	1.4kN
	8	110	210	5.1kN	2.4kN	1.6kN
450	2	80	170	450N	260N	183N
	4	120	210	5.6kN	2.7kN	1.8kN
	6	120	210	6.2kN	3.0kN	2.0kN
	8	120	210	6.9kN	3.3kN	2.22kN
500	2	140	250	6.1kN	3.5kN	2.5kN
	4	140	250	6.8kN	3.6kN	2.53kN
	6	140	250	7.2kN	3.4kN	2.6kN
	8	160	300	7.0kN	3.2kN	2.1kN
560	2	160	300	7.8kN	3.7kN	2.45kN
	4	160	300	8.5kN	4.1kN	2.67kN



Frame	Maximum Radial Force - Roller Bearing at DE					
	Poles	D	E	X_0	$X_{1/2}$	X_{max}
355	4	95	170	31.6kN	18.5kN	13.1kN
	6	95	170	36.2kN	21.2kN	15kN
	8	95	170	40kN	23.4kN	16.6kN
400	4	110	210	60kN	31.1kN	19.2kN
	6	110	210	55kN	25.5kN	17.5kN
	8	110	210	48kN	23.6kN	15.7kN
450	4	120	210	43kN	20.9kN	13.8kN
	6	120	210	49kN	23.9kN	15.8kN
	8	120	210	55kN	26.8kN	17.7kN
500	4	140	250	58kN	34kN	18.5kN
	6	140	250	65kN	37kN	19kN
	8	140	250	70kN	39kN	21.8kN
560	4	160	300	63kN	30.1kN	19.8kN
	6	160	300	68kN	32.5kN	21.4kN
	8	160	300	75kN	35.9kN	23.6kN



Frame size	Poles	Maximum Axial Forces [N]			
		B3 Fpressure	B3 Fpull	V1 Load up	V1 Load down
56	2	200	200	230	180
	4	240	240	260	200
63	2	250	250	260	230
	4	280	280	300	260
71	2	270	270	290	255
	4	350	350	370	320
80	2	380	380	400	360
	4	470	470	490	450
90	2	440	440	460	420
	4	550	550	600	510
100	2	440	440	470	410
	4	550	550	600	510
112	2	620	620	680	460
	4	640	640	700	580
125	2	610	610	670	570
	4	750	750	840	710
132	2	880	880	970	820
	4	895	895	970	845
160	2	1220	1220	1300	1170
	4	1440	1440	1520	1370
180	2	1650	1650	1740	1580
	4	1780	1780	1880	1710
200	2	1500	1500	1620	1430
	4	1780	1780	1970	1610
225	2	1820	1820	2000	1660
	4	1920	1920	2100	1760
250	2	1650	1650	1950	1350
	4	2100	2100	2470	1720
280	2	2450	2450	2800	2050
	4	2650	2650	3050	2210
315	2	2100	2100	2450	1720
	4	2600	2600	3200	2000
355	2	2900	2900	3510	2280
	4	3170	3170	3780	2550
400	2	2400	2400	2940	1840
	4	3120	3120	3850	2390
450	2	3480	3480	4350	2610
	4	3950	3950	4810	3090
500	2	2720	2720	3420	2020
	4	3480	3480	4370	2590
560	2	3890	3890	5040	2820
	4	4330	4330	5330	3330
630	2	3100	3100	3940	2260
	4	3900	3900	5000	2800
710	2	4450	4450	5570	3230
	4	4980	4980	6380	3580
800	2	5300	5300	6500	2100
	4	6300	6300	7800	3000
900	2	6700	6700	7900	2900
	4	7100	7100	9100	3520
1000	2	5900	5900	8000	2000
	4	7100	7100	10700	3150
1120	2	7600	7600	11800	3500
	4	8100	8100	12500	4400
1250	2	6100	6100	14000	800
	4	9800	9800	18300	2500*
1400	2	10500	10500	20700	3500*
	4	12500	12500	21500	3600*
1600	2	n/a	n/a	n/a	n/a
	4	11200	11200	18500	1600*
1800	2	12500	12500	19500	2200*
	4	12800	12800	21500	2900*



The table shows the Permissible Axial Forces in [N] (assuming zero radial force) when standard ball bearings are fitted. When higher Axial Forces are required Angular Contact Bearings should be fitted.

The values are based on normal conditions at 50Hz and calculated at 20,000 working hours for 2pole motors and 40,000 hours for 4, 6 & 8pole motors. Reduce the values by 10% for 60Hz speeds. $F_{pressure}$ is calculated for fixed bearing at the DE.

LVX - Large LV Motors

Frame size	Poles	Maximum Axial Forces [N]			
		B3 Fpressure	B3 Fpull	V1 Load up	V1 Load down
355	4	6.5kN	2.4kN	11kN	1.0kN
	6	7.2kN	3.5kN	14kN	1.4kN
	8	8.4kN	4.2kN	15kN	2.1kN
	2	4.9kN	2.1kN	---	---
400	4	7.6kN	3.9kN	15kN	1.3kN
	6	9.4kN	4.8kN	16kN	1.8kN
	8	10.7kN	5.0kN	18kN	2.5kN
	2	3.5kN	1.5kN	---	---
450	4	10kN	4.5kN	20kN	3.3kN
	6	11kN	5.0kN	22kN	4.8kN
	8	12kN	5.5kN	24kN	5.3kN
	4	11kN	5.0kN	23kN	4.5kN
500	6	12kN	5.5kN	25kN	5.4kN
	8	13kN	6.0kN	28kN	5.8kN
	4	12kN	5.5kN	32kN	4.8kN
	6	13kN	6.0kN	37kN	5.5kN
560	8	14kN	6.5kN	41kN	6.2kN

*valid for 20,000 hours of bearing life